

Interface Connectors

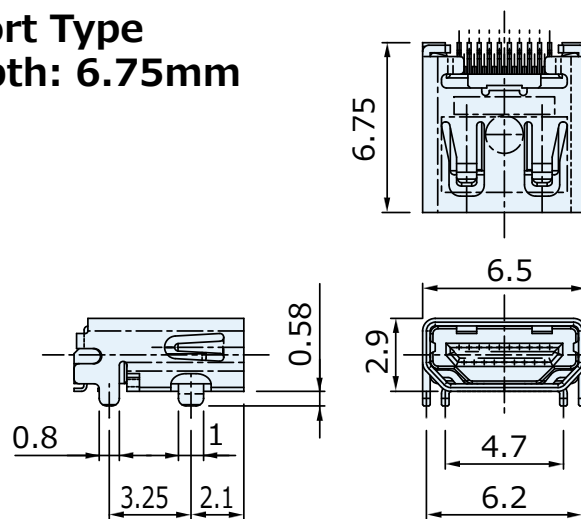
HDMI Type D Receptacles

- Conforms to HDMI standard
- Rating: 0.3A, 40V(RMS) AC
- Contact Resistance: 30mΩ max.
- Insulation Resistance: 100MΩ min. at 500V DC
- Withstanding Voltage: 250V AC(for one minute)
- Operating Life: 5,000 cycles



On Board CSS5319-1F01F

Short Type
Depth: 6.75mm

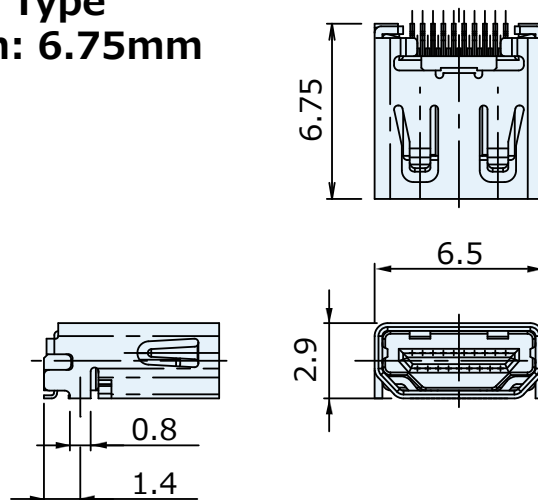


シエル基板取付部 DIP



On Board CSS5319-8E01F

Short Type
Depth: 6.75mm



シエル基板取付部 SMT