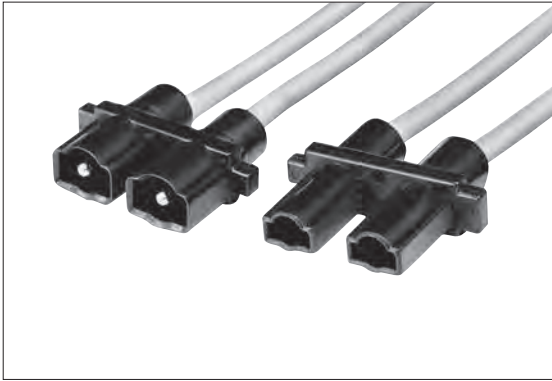


# Lamp Connectors, LC-3 Series



● Plug : CCT9402-5801F

### ■ Features

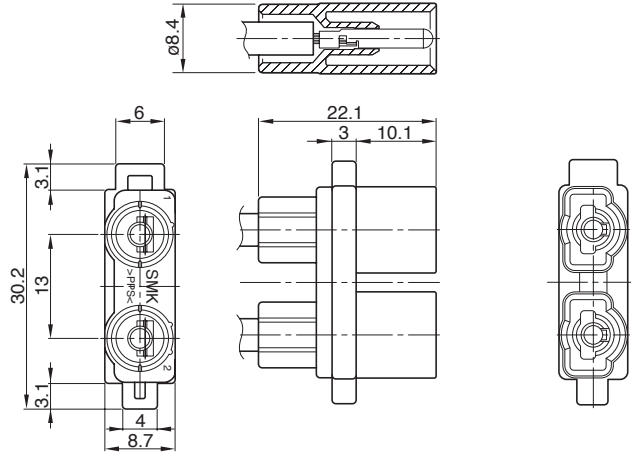
1. This is a high voltage connector for lamps capable of handling an DC voltage of up to 25kV (peak).
2. This compact connector design is an ideal choice for downsized equipment.

### ■ Specification

1. Rating : 10A, 250V AC/DC
2. Contact Resistance : 20mΩ max.
3. Insulation Resistance : 1000MΩ min. at 500V DC
4. Withstanding Voltage : 25kV DC (peak) (for one minute)
5. Operating Temperature Range : -20°C to +150°C

### ■ Materials and Plating

- Housing : Thermoplastic Resin, Black, 94V-0
- Contact  
 Plug Terminal : Cu Alloy, Sn Plating  
 Socket Terminal : Nickel Silver



● Socket : CCT9402-5901F

